



Hi-Power Blender Series

MX1500XT/MX1500XTP/MX1500XTS

Features

- Heavy-duty 3.5 peak input HP motor
- 45,000 RPM (bare motor speed)
- Easy-to-clean electronic membrane keypad with blue backlit LCD screen
- Four reprogrammable beverage stations
- Adjustable speed controls
- Dual pulse functions
- Unbreakable polycarbonate sound enclosure (SE500/SE1000)



MX1500XTP



MX1500XTS



MX1500XT





Xtreme Hi-Power Blender Series



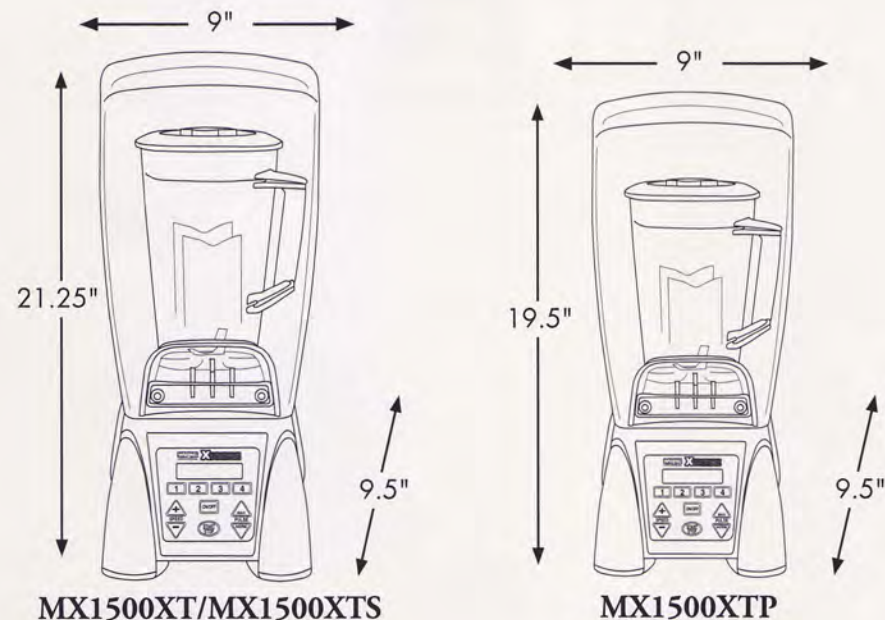
MX1500XT/MX1500XTP/MX1500XTS

Specifications

Item	Electrical	Listings	RPM (bare motor)	Dimensions (H" x W" x D")	Warranty
MX1500XT/ MX1500XTS	120 Volt, 13 Amp, 50/60 Hz	ETL,NSF	45,000	21.25"x9"x9.5"	Limited 3 Year Motor and 2 Year Parts and Labor
MX1500XTP	120 Volt, 13 Amp, 50/60 Hz	ETL,NSF	45,000	19.5"x9"x9.5"	Limited 3 Year Motor and 2 Year Parts and Labor

Ordering Information

Description	Catalog #	Std Pkg.	Ship Wt. (Lbs.)	Cubic Feet	UPC Code
Xtreme Hi-Power Blender with 64 oz. Polycarbonate Container	MX1500XT	1	20 lbs.	0.92	040072006807
Xtreme Hi-Power Blender with 48 oz. Polycarbonate Container	MX1500XTP	1	20 lbs.	0.92	040072006791
Xtreme Hi-Power Blender with 64 oz. Stainless Steel Container	MX1500XTS	1	21 lbs.	0.92	040072006784
48 oz. Polycarbonate Container	CAC93	1	3.5 lbs.	0.33	040072004575
64 oz. Polycarbonate Container	CAC89	1	3.5 lbs.	0.34	040072002342
64 oz. Stainless Steel Container	CAC90	1	6 lbs.	0.34	040072002359
Sound Enclosure for Xtreme Series 64 oz. Containers	SE1000	1	5.5 lbs.	1.05	040072002366
Sound Enclosure for Xtreme Series 48 oz. Containers	SE500	1	5 lbs.	0.95	040072007668



Waring Commercial • 314 Ella T. Grasso Ave. • Torrington • Connecticut 06790
 Tel. (800) 492-7464 • Fax (860) 496-9008 • www.waringproducts.com • ©2006 Waring